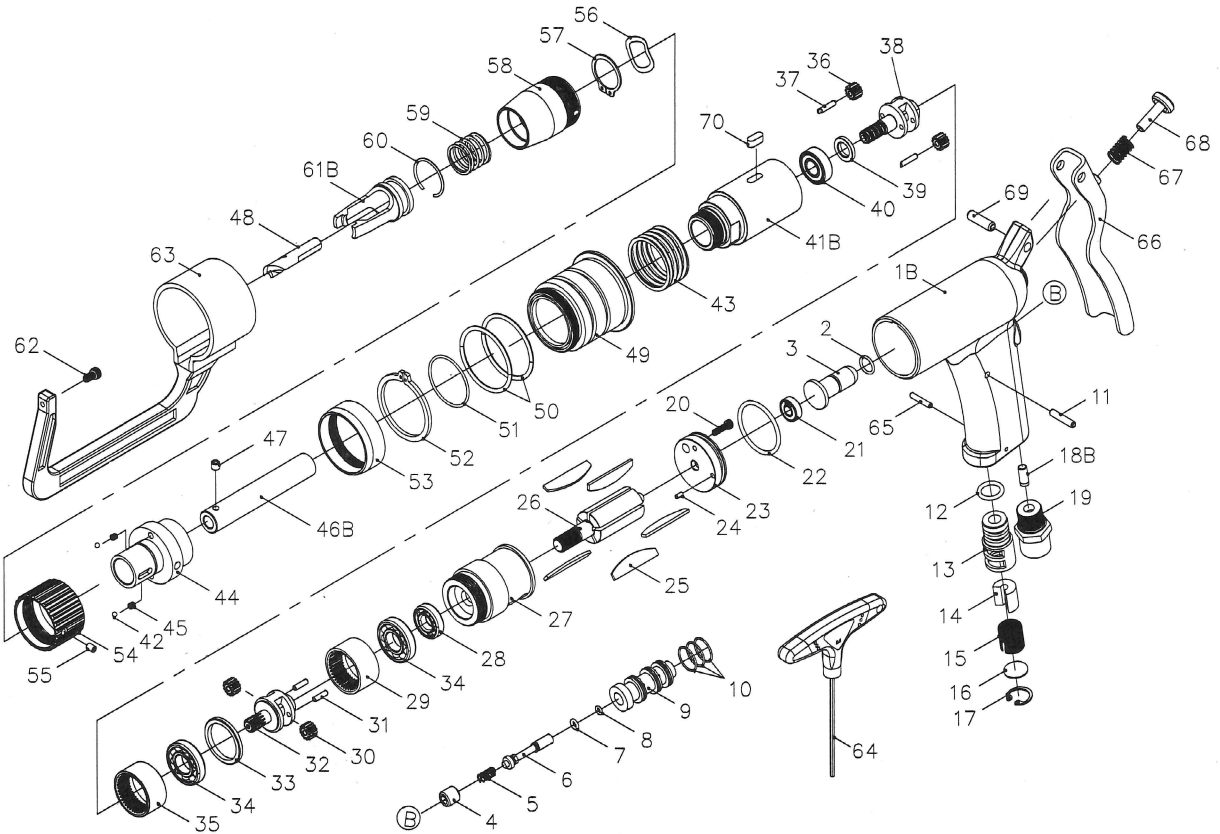


AIR SPOT DRILL W/HOOK (1000 RPM)



SPECIFICATIONS :

* DRILL BIT HOLDER SIZE ----- 8 mm
 * AIR PRESSURE ----- 6.2 bar
 * AIR INLET ----- 1/4"-PF

* FREE SPEED ----- 1,000 RPM
 * AIR HOSE ----- 3/8" ID

REF NO.	DESCRIPTION	Q'TY	REF NO.	DESCRIPTION	Q'TY
1B	HOUSING	1	36	GEAR (14T)	2
2	"O" RING	1	37	PIN (Ø3×13.8L)	2
3	PUSHER	1	38	GEAR CASE	1
4	PLUG	1	39	WASHER	1
5	VALVE SPRING	1	40	BALL BEARING (R6 ZZ)	1
6	VALVE STEM	1	41B	GEAR CASE	1
7	"O" RING	1	43	SPRING	1
8	"O" RING	1	44	GEAR HOUSING	1
9	VALVE BUSHING	1	45	SPRING	2
10	"O" RING	3	46B	BIT HOLDER	1
11	PIN	1	47	SET SCREW (M5×5L)	1
12	"O" RING	1	48	DRILL BIT	1
13	MUFFLER BODY	1	49	CLAMP NUT	1
14	SILENCER	1	50	"O" RING (d39.35×W2.62)	2
15	FILTER SCREEN	1	51	"O" RING (d32.0×W1.5)	1
16	PLATE	1	52	RETAINING RING	1
17	RETAINER RING (R-15)	1	53	LOCK NUT	1
18B	PLUG	1	54	ADJUSTING NUT	1
19	AIR INLET	1	55	SET SCREW (M4×6L)	1
20	HEX. SCREW (M3×12L)	1	56	WAVE WASHER	1
21	BALL BEARING (696 ZZ)	1	57	RETAINING RING (S-22)	1
22	"O" RING (d31.5×W2.4)	1	58	ATTACHMENT	1
23	REAR END PLATE	1	59	SPRING	1
24	SPRING PIN (Ø2.5×5L)	1	60	RETAINER	1
25	ROTOR BLADE	5	61B	SUPPORTER	1
26	ROTOR	1	62	HEX. SCREW (M4×8L)	1
27	CYLINDER	1	63	ARM	1
28	BALL BEARING (6900 ZZ)	1	64	T HANDLE HEX KEY (2.5mm)	1
29	INTERNAL GEAR (16mm)	1	65	SPRING PIN	1
30	GEAR (13T)	2	66	TRIGGER	1
31	PIN (Ø3×10.8L)	2	67	SPRING	1
32	DRIVEING GEAR	1	68	SCREW	1
33	WASHER	1	69	SPRING PIN	1
34	BALL BEARING (R8)	2	70	DOUBLE HEAD ROUND KEY	1
35	INTERNAL GEAR (15mm)	1			

Optional Parts

1101002

** To get maximum performance and life of your tool, replace the whole set of Parts Kit is highly recommended.